

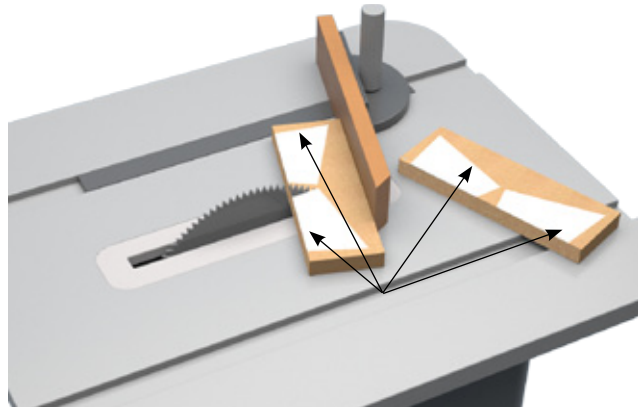
Table Saw Magic 1912 Barney Oldfield

NOTE: Refer to the precision line pattern on pages 28 and 29 for exact location of all Part 11 angles.

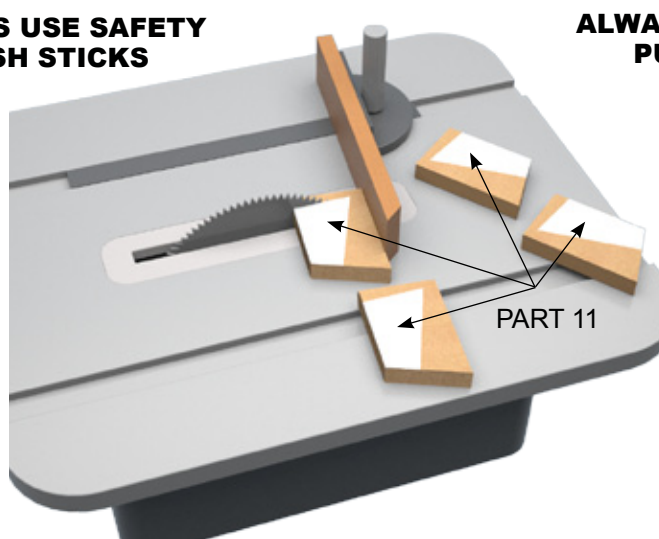
**ALWAYS USE SAFETY
PUSH STICKS**

PART 11 CONSTRUCTION DETAILS

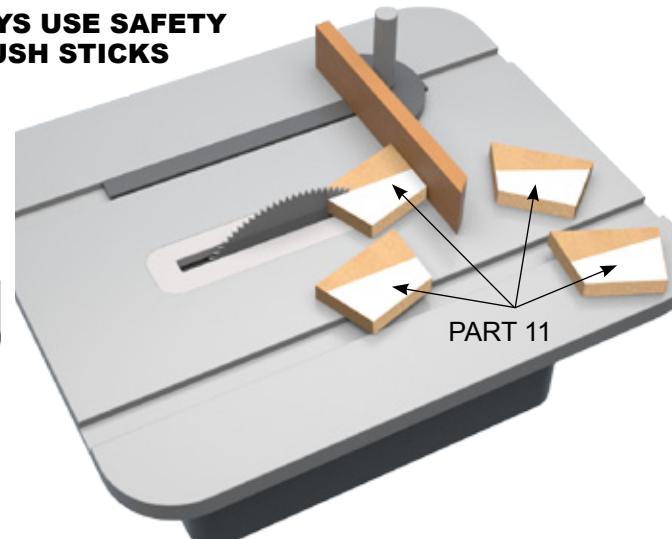
**ALWAYS USE SAFETY
PUSH STICKS**



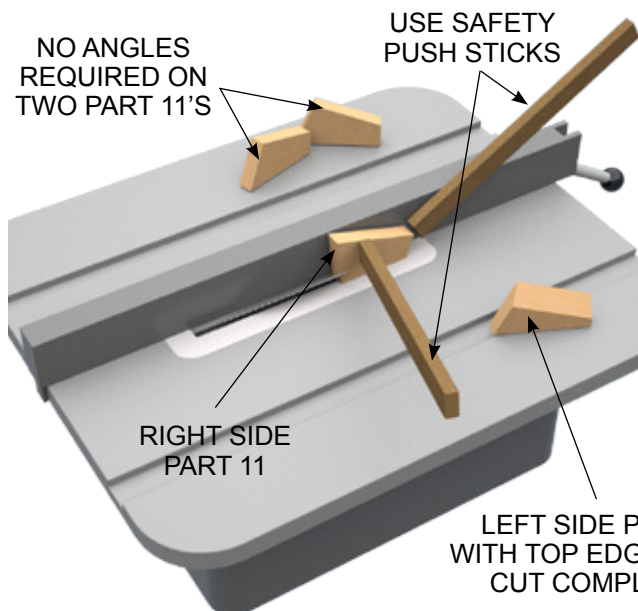
1. Saw out four Part 11 pieces by attaching patterns to wood blanks as shown above. Adjust table saw miter gauge to match the angles of the patterns. Separate the pieces by precisely sawing the cut aligned with the edge of the pattern as shown above.



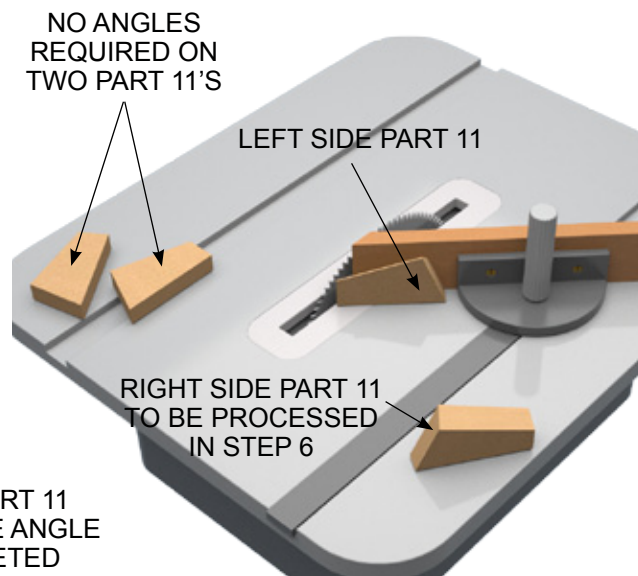
2. Set the table saw miter gauge to align with the angle to be cut as shown above. Finish sawing each angle of each of the four pieces by adjusting the table saw miter gauge angle. Use a safety push stick.



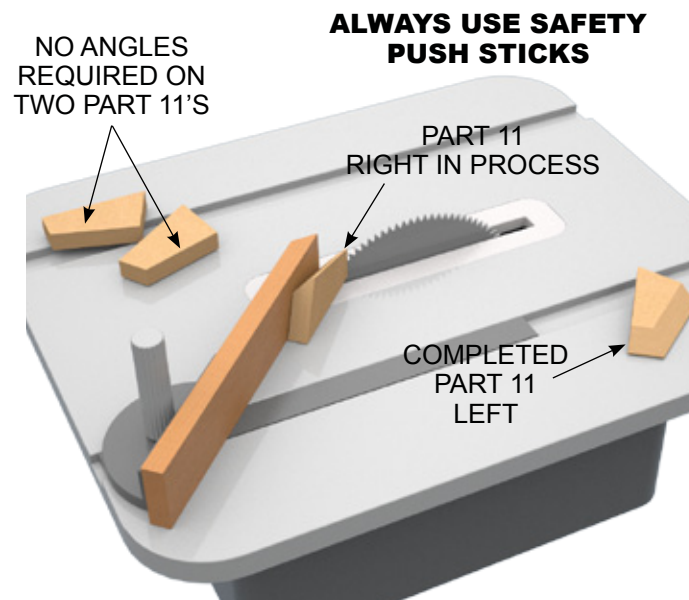
3. Set the table saw miter gauge to align with the angle to be cut as shown above. Saw each angle of each of the four pieces while the table saw miter gauge adjusted to the angle being sawed. Use a safety push stick.



4. Saw the top edge 45 degree angle (one left, one right) on two of the Part 11's with the blade at 45 degrees. Refer to the precision line pattern on pages 28 and 29 for exact location and depth of the top angles.



5. With blade at 90 degrees and the miter gauge at 45 degrees saw the end angle on the Left Side Part 11. The two Part 11's with additional angles are glued to the outside of the Part 11 Assembly. See page 21.

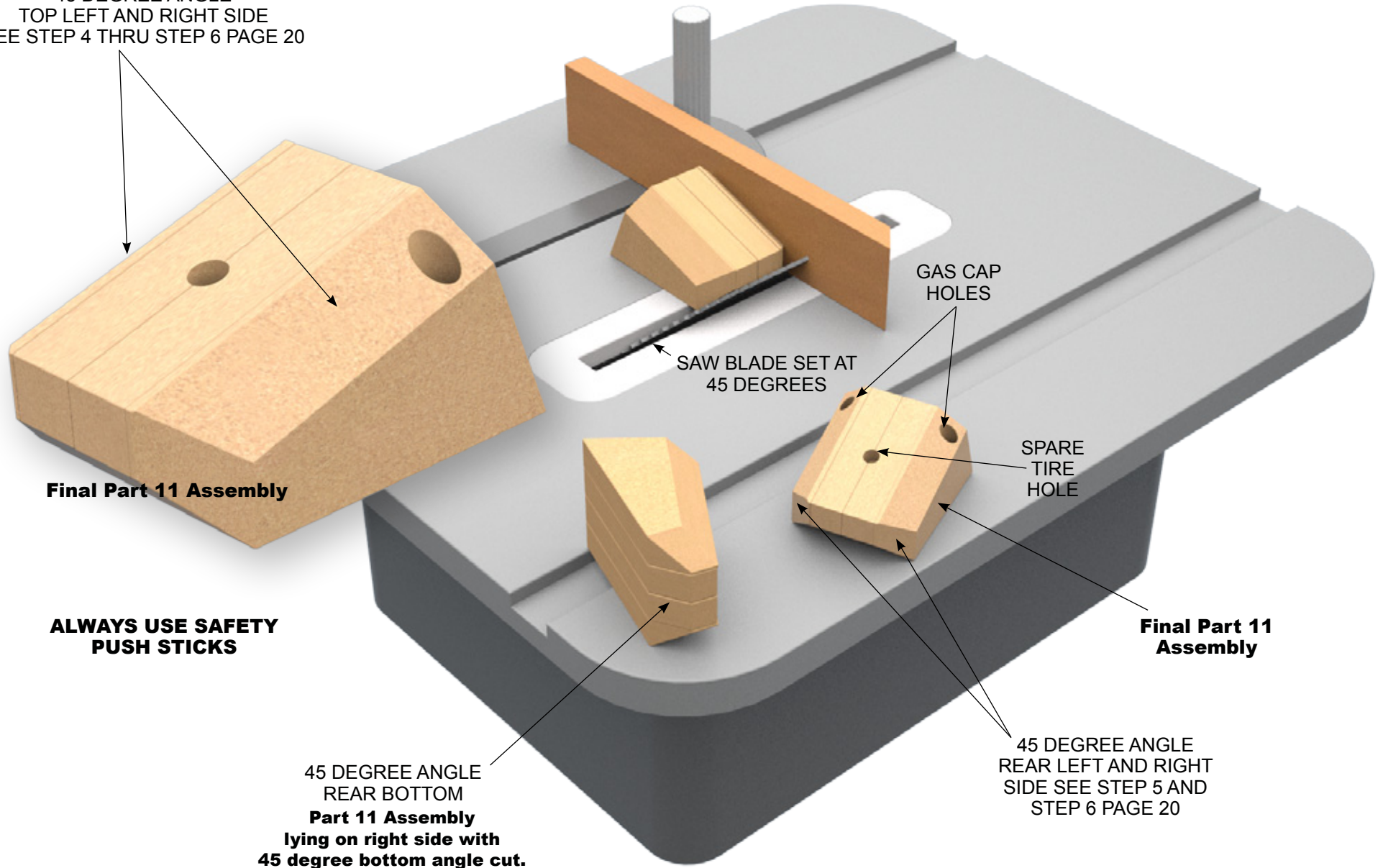


6. With blade at 90 degrees and the miter gauge at reversed 45 degrees saw the end angle on the Right Side Part 11. The two Part 11's completed in Steps 5 and 6 are glued to the outside of the Part 11 Assembly shown on page 21.

PART 11 CONSTRUCTION DETAILS

**Table Saw Magic
1912 Barney Oldfield**

45 DEGREE ANGLE
TOP LEFT AND RIGHT SIDE
SEE STEP 4 THRU STEP 6 PAGE 20



Final Part 11 Assembly

**ALWAYS USE SAFETY
PUSH STICKS**

45 DEGREE ANGLE
REAR BOTTOM
Part 11 Assembly
lying on right side with
45 degree bottom angle cut.

**Final Part 11
Assembly**

45 DEGREE ANGLE
REAR LEFT AND RIGHT
SIDE SEE STEP 5 AND
STEP 6 PAGE 20

7. Glue the four Part 11's together. The Step 5 and Step 6 Part 11's are on the outside of the assembly with all of the parts in alignment. Any variation in size can be correct by sanding after the parts are assembled and the glue thoroughly dry.

8. Saw the 45 degree bottom angle with the saw blade at 45 degrees and the miter gauge at 90 degrees. Refer to the precision line pattern on page 29 for exact location and depth of the top angles.

9. Drill the Spare Tire hole and the two Gas Cap holes in the Final Part 11 Assembly. Refer to the precision line pattern on page 29 for exact location and depth of the three holes in Part 11 Assembly.